

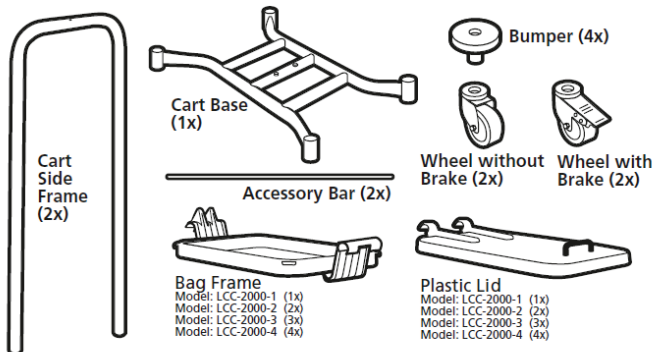


Med-I-Cart

Assembly Instructions

CART ASSEMBLY

Parts included for Cart assembly:



1

- As you open up your box, you may want to use carton as protective mat during assembly. Ensure all wrapping has been removed.
- Slide bumpers onto cart side frames.
- Slide cart side frames into cart base. Ensure that holes to install accessory bars are facing inward.
- To insert accessory bars, gently pull cart side frames and insert them in holes one end at a time.

2

- Turn structure upside down. Ensure that cart side frames are fully inserted, but do not go past cart base frame.
- Insert wheel into shaft. Push firmly or gently tap with hammer. Two of the wheels come with brakes. We suggest that these both be put at the front of the cart so that they are easily positioned for use.

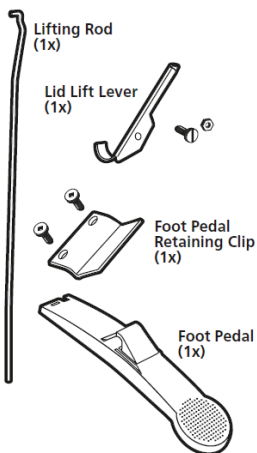
3

- Turn structure right side up.
- To install bag frames - use holes at the top of cart side frames, align pins under fitting lip and snap on.
- For carts with more than one bag frame, ensure that all lid stoppers face the same directions.
- Snap on plastic lid(s). The handle should face the direction opposite from lid stoppers.

NOTE: If installing the Foot Pedal System, delay snapping on plastic lid until directed below.

CART ASSEMBLY

Parts included for Foot Pedal System Assembly:



Tools required:
Drill with 5/32" (4 mm) bit, felt tip marker, screwdriver, pair of pliers

1

- Begin with assembled cart as directed above. Do not install plastic lid immediately.

2

- Insert bottom end of the lifting rod in the slot of the foot pedal. It will be a tight fit.
- Lift rod as indicated.

3

- Position the foot pedal underneath the cart, between the 2 anchor pins. Clip it on the central bar of the cart base.
- Make sure that the lifting rod is on the same side as the lid stoppers on the bag frame.

5

- Place lid lift lever under cart side frame close to bag frame.
- Insert top extremity of the lifting rod into the lid lift lever's hole.
- Clip the plastic lid over the lid lift lever. Push lid lift lever to the plastic lid.

5

- Use a marker to indicate where you should drill. Move the lid lift lever away for easier access. A 5/32" (4 mm) bit is required on your drill. After drilling, push the lid lift lever back to the plastic lid.

NOTE: Do not mark holes with plastic lid(s) off. Alignment might be incorrect.

- Push the bolt through the plastic lid and the lid lift lever, screw the nut on. Using a pair of pliers to hold the nut, tighten it using a screwdriver.

6

- Position the foot pedal retaining clip into recessed space. Attach with two screws. Only tighten enough to ensure that screws are fully inserted in plastic. Overtightening might strip plastic.

Retaining ring for bags also available.

2022-v.1



MIP

The Softer Side of Healthcare